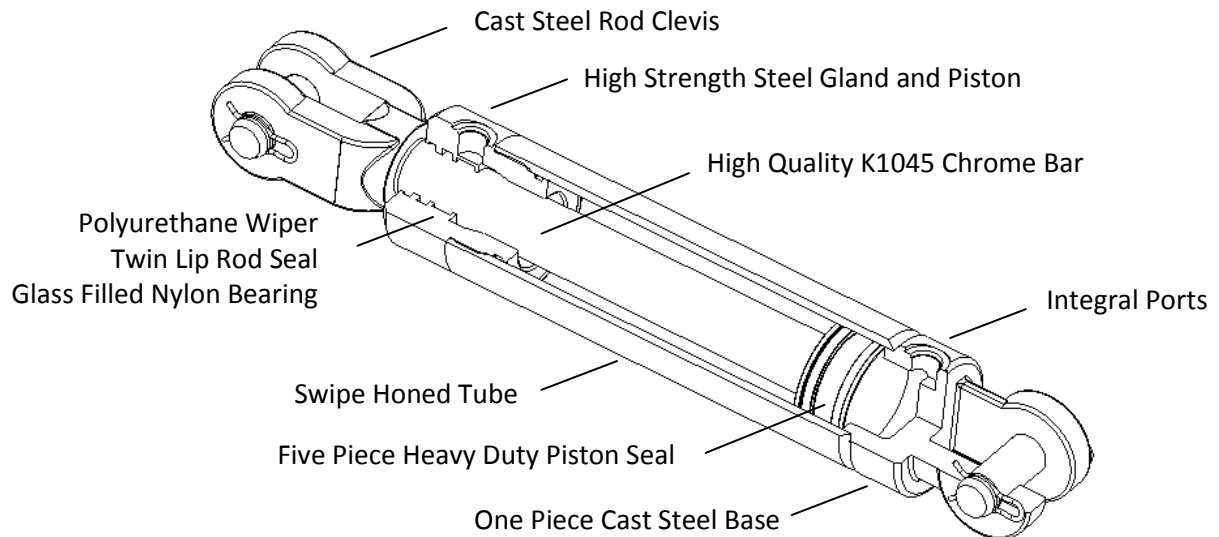




EurekaEngineeredProducts.com

Hydraulic Cylinder Solutions

Introducing the Rebel Series ...

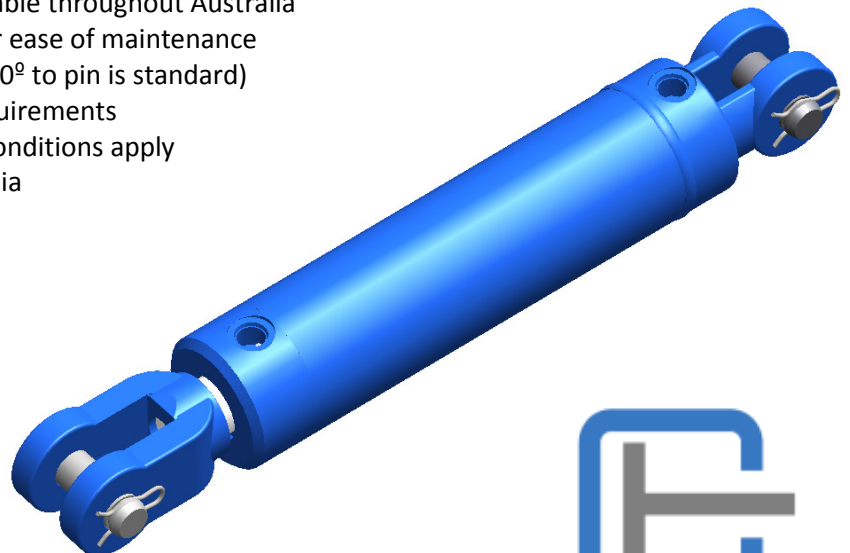


Features and Benefits:

- ✓ High quality cast steel rod clevis and base for longer life and improved shock resistance
- ✓ Polymer bearings for reduced wear on barrel and rod surface
- ✓ Heavy duty Hallite seals - available throughout Australia
- ✓ Screwed gland construction for ease of maintenance
- ✓ Optional port configurations (90° to pin is standard)
- ✓ Can be customised to your requirements
- ✓ 12 month limited warranty – conditions apply
- ✓ Made and supported in Australia

Mounting Options:

- ✓ Female Clevis (Standard)
- ✓ Male Clevis
- ✓ Pin Eye
- ✓ Top Link
- ✓ Trunnion Mount
- ✓ Spherical Bearing
- ✓ Custom

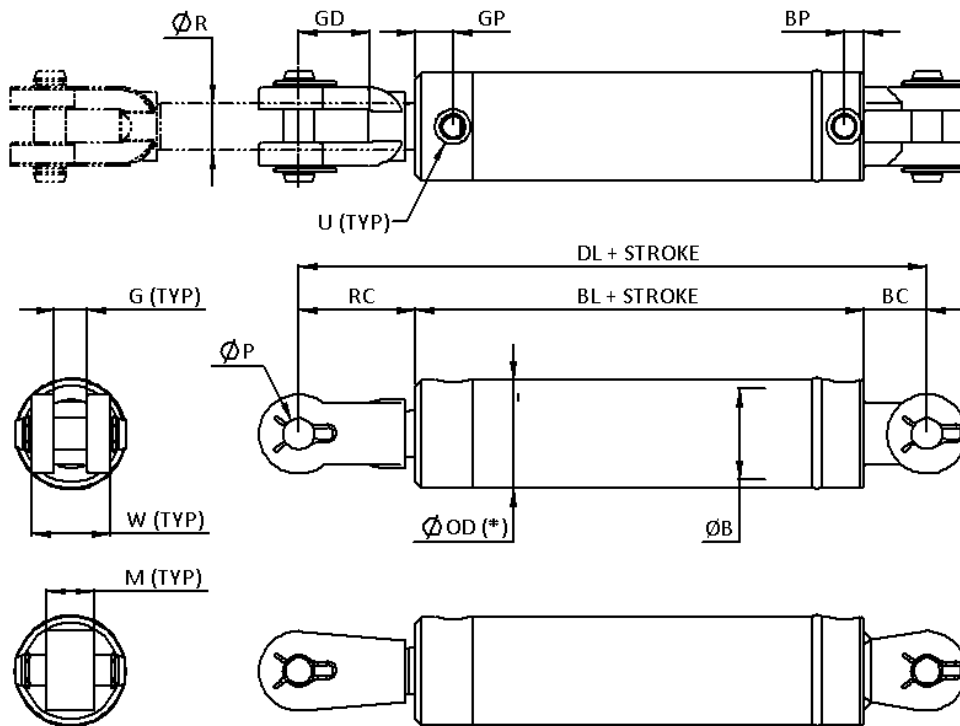


REBEL SERIES
EurekaEngineeredProducts.com

Specifications:

- Suitable for medium duty applications
- Maximum working pressure up to 3000 PSI (20.7 MPa)
- Peak pressure up to 4000 PSI (27.6 MPa)
- Consideration should be given to buckling as stroke and pressure increase
- Operating temperature between -20°C and 100°C
- Rod speed up to 0.5 m/s

Female & Male Clevis Cylinder Standard Sizes:



| ØB | ØR | DL | ØP(**) | U | GD | GP | BP | G | RC | BL | BC | W | ØOD | M |
|-----------------|-------------------|-----|------------------|--------------------|----|----|------|----|------|-----|------|----|-------------------|----|
| 1.5" (38.1) | 0.875" (22.23) | 241 | 0.75" (19.05) | 9/16" UN O Ring | 28 | 29 | 13.5 | 21 | 57 | 146 | 38 | 46 | 2.0" (50.8) | 40 |
| 2.0" (50.8) | 1.25" (31.75) | 241 | 0.75" (19.05) | 9/16" UN O Ring | 28 | 29 | 13.5 | 21 | 57 | 146 | 38 | 46 | 2.5" (63.5) | 40 |
| 2.5" (63.5) | 1.50" (38.1) | 311 | 1.0" (25.4) | 3/4" UN O Ring | 57 | 31 | 16 | 27 | 95.5 | 164 | 51.5 | 65 | 3.0"(*) (76.2) | 40 |
| 3.0" (76.2) | 1.50" (38.1) | 311 | 1.0" (25.4) | 3/4" UN O Ring | 57 | 31 | 16 | 27 | 95.5 | 164 | 51.5 | 65 | 3.5" (88.9) | 40 |
| 3.5" (88.9) | 1.75" (44.45) | 311 | 1.0" (25.4) | 3/4" UN O Ring | 57 | 31 | 16 | 27 | 91.5 | 168 | 51.5 | 65 | 4.0" (101.6) | 40 |
| 4.0" (101.6) | 1.75" (44.45) | 311 | 1.0" (25.4) | 3/4" UN O Ring | 57 | 25 | 16 | 27 | 92.5 | 167 | 51.5 | 65 | 4.5" (114.3) | 40 |

All dimensions correct at time of publication. Subject to change without notice.

(*) Gland Outer Diameter (OD) on 2.5" cylinder is Ø87. For all other cylinders gland OD is equal to barrel OD.

(**) 1" pins can be optioned up to 1.25" pin.

Manufactured By:

Eureka Engineered Products Pty Ltd (ABN 35 047 814 147)
 26A Wiltshire Lane Ballarat VIC 3356
 PO Box 4174, Alfredton VIC 3350
 AUSTRALIA
 Ph +61 3 5336 0011
 Fx +61 3 5336 0022
 Sales@EurekaEngineeredProducts.com
 www.EurekaEngineeredProducts.com

Your Local Distributor:

